

# SEETRONIC

## Product Data Sheet

**Product Type** IP65 Waterproof Power Socket

**Product Model** SAC3MPX(06)

**Customer Name** \_\_\_\_\_

<b>Manufacturer</b>	<b>Prepared</b>	<b>Checked</b>	<b>Approved</b>

<b>Customer</b>	<b>Received</b>	<b>Checked</b>	<b>Confirmed</b>



## Product Data Sheet

<b>Product Type</b>	<b>IP65 Waterproof Power Socket</b>	
<b>Product Model</b>	<b>SAC3MPX(06)</b>	

### Product Features

- Lockable three-core device power-out socket connector with contacts for linear, neutral and pre-adapted safety grounding
- Used for electrical connection under outdoor conditions with protection grade is IP65
- Match with SAC3FX plug
- High current capacity rated at 16A/250V AC VDE and 20A/300V AC UL
- UL498 & UL50E Certification No.: E356932
- VDE Certification No.: 40044166



## Product Data Sheet

### Electrical Parameters

Item	Specification
Number of Contacts	2 + PE
Rated Current	16A VDE(20A UL)
Rated Voltage	250V AC VDE (300V AC UL)
Contact Resistance	$\leq 5 \text{ m}\Omega$
Dielectric Strength	4000V DC (1600V/min AC UL)
Insulation Resistance	$> 1000 \text{ M}\Omega$

### Mechanical Parameters

Item	Specification
Service Life	$> 1000$ mating cycles
Cable Size	$2.5\text{mm}^2$ (12 AWG)



## Product Data Sheet

### Material and Environmental Parameters

Item	Specification
Housing	PA
Contacts	Cu alloy
Contact plating	Ag
Flame-retardant grade	UL 94-V0
Temperature range	-30°C ~ +80°C
Protection degree	IP65

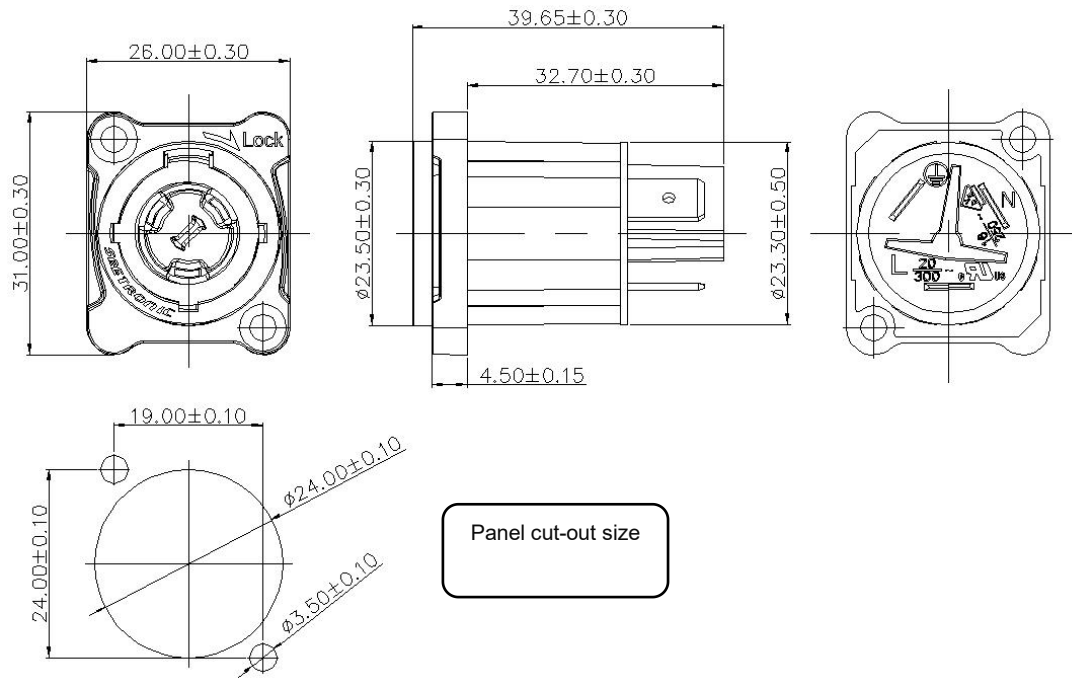
### Standards and Certifications

Standards	UL498   UL50E   IEC61984   IEC60320-1   GB/T 34989
Certifications	UL: E356932 VDE: 40044166 TUV:N8A1083360004 CQC:CQC23003410681



## Product Data Sheet

### Product Drawing



### Packaging Method

Blister box packaging (only include the socket body, waterproof rubber is not included and need to be purchased separately)

20 pcs per blister box, 100 pcs per inner carton, 5 inner carton per master carton (500 pcs per master carton)

### Accessory

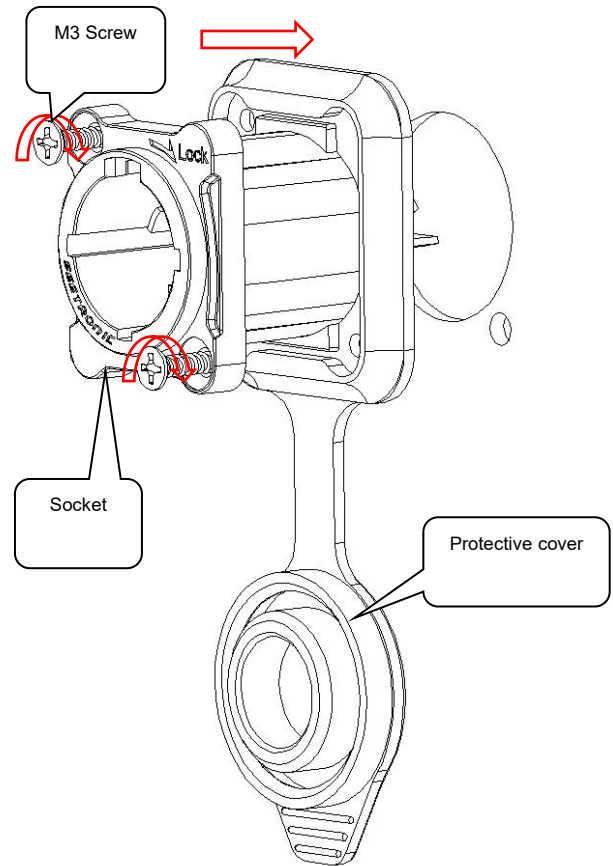
- |  |  |
|--|--|
| <input checked="" type="checkbox"/> No accessories | <input type="checkbox"/> Back fastener plate |
| <input type="checkbox"/> Screws and Nuts           | <input type="checkbox"/> Other               |



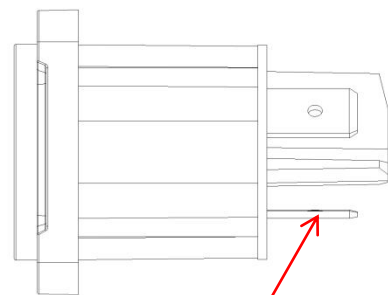
## Product Data Sheet

### Assembly Instructions

Put the protective cover on the rear side of the socket and then install on the front of the panel. Finally, tighten the screws with 0.5 Nm torque in clockwise direction.



Type of Terminals



Soldering / plugging 6.3x0.8 terminals

